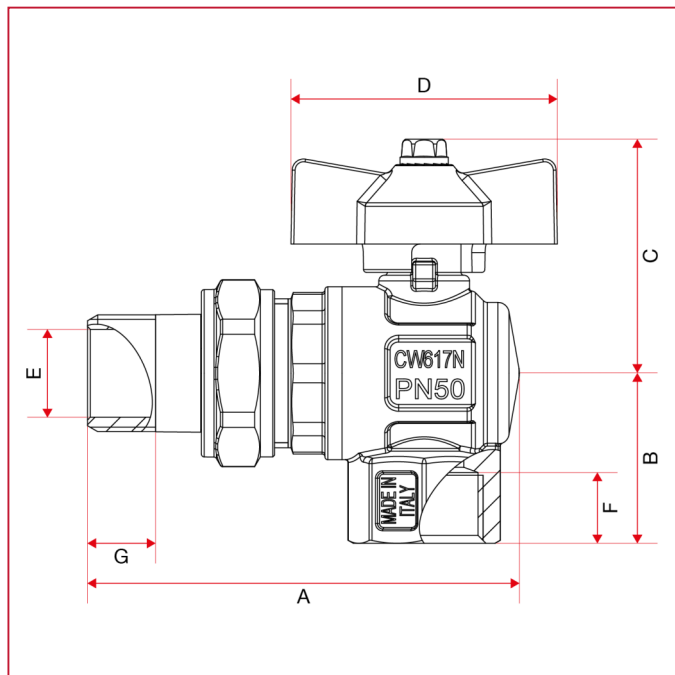




FULL FLOW BALL VALVES: IDEAL

298 Ideal angle ball valve, full flow for manifolds

OVERALL DIMENSIONS



	1/2"	3/4"	1"
DN	15	20	25
A	76,2	89,5	106,5
B	30	33,5	39,75
C	41	47	51
D	47	62	62
E	14	18	23
F	12,5	13,5	15
G	12	14	16
Kg/cm ² bar	50	40	40
LBS - psi	725	580	580